

Micro Analog Systems releases 40Vpp Piezo Driver IC for Multi-Tone Sound

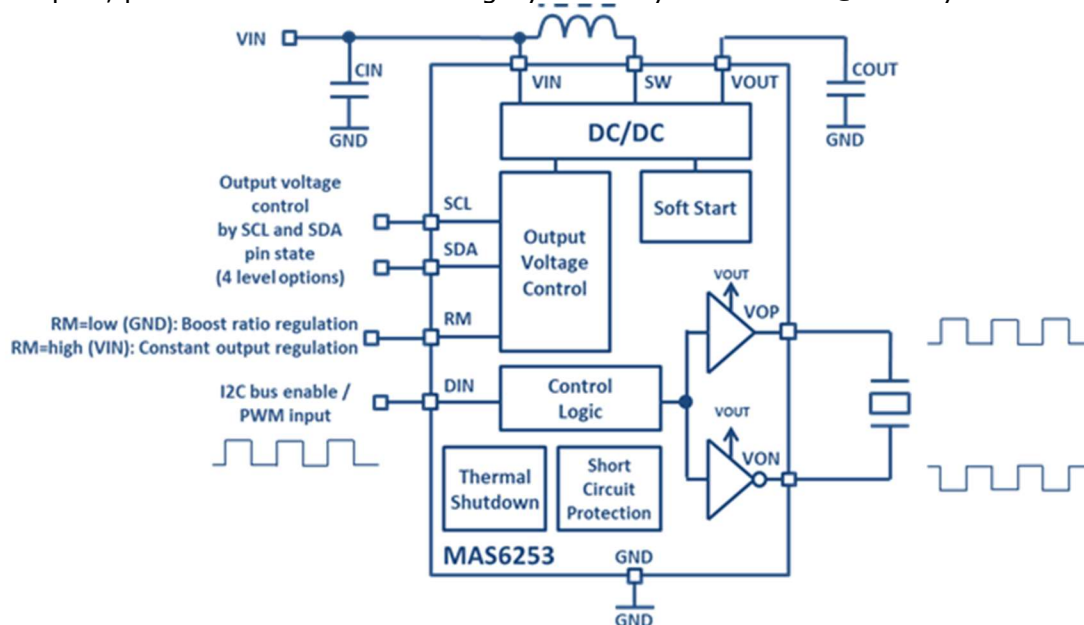
Offering high sound pressure level even at low supply voltage in small package

Helsinki, Finland – 5 August 2024 - Micro Analog Systems Oy today announced MAS6253, a Piezo Driver IC for Multi-Tone Sound

Micro Analog Systems Oy introduces piezo driver IC in a small DFN-10 2x2x0.5 mm package. It is a high efficiency, easy to use and low cost solution for piezo sound applications requiring high sound pressure level (SPL). Typical applications include piezo buzzers, alarm devices, white goods and handheld or portable devices with sound feature.

The heart of the IC is a high efficiency synchronous boost DC/DC converter requiring only a small 0806 sized 2.2 μ H inductor. The output voltage is regulated and adjustable up to 20V either in pin mode or via I2C bus. The bridge-tied load (BTL) output of the piezo driver is capable of driving up to 40Vpp signal in a very wide supply voltage range from 1.6V to 5.5V.

The MAS6253 is available in DFN-10 2x2x0.5 mm package. Samples are available. Price for a DFN packaged device is USD 0.8 (3 000 pcs). For further information and samples, please contact Micro Analog Systems Oy at info-mas@mas-oy.com.



FEATURES

- Up to 40Vpp even to 47nF piezo sounder
- High Efficiency Boost DC/DC Converter
- Wide Supply Voltage Range 1.6V...5.5V
- Low Inrush Current by Soft-Start Feature
- External Schottky Diode Not Needed
- Small Inductor
- Very Low Leakage Current typ 20nA
- Short Circuit Protection
- Thermal Shutdown

About Micro Analog Systems

Founded in 1984, Micro Analog Systems Oy is a privately owned fabless semiconductor house located in Helsinki, Finland. MAS supplies Application Specific Standard Parts and ASICs for worldwide customer base. MAS current product portfolio consists of time signal receiver ICs, crystal oscillator ICs and AD converters for sensor applications as well as of other high performance analog ICs.

For More Information

Company Contact:
Juha Majakulma
Director
+358 50 331 5638
juha.majakulma@mas-oy.com