

Micro Analog Systems releases Li-ion and LiPo battery charger IC with LDO

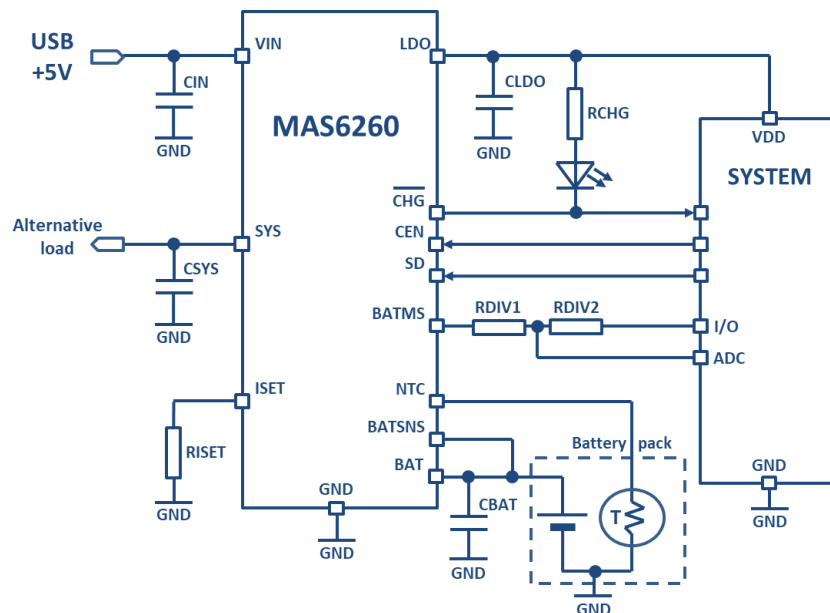
Targeted for portable Li-ion/LiPo battery powered electronic products.

Helsinki, Finland – 21 February 2019- Micro Analog Systems Oy today announced MAS6260, a Li-ion and LiPo battery charger IC with LDO primarily intended for portable electronic products.

MAS6260 is a charger IC for single-cell Li-Ion and LiPo batteries. It includes 150mA low-dropout (LDO) regulator and protection functions for battery and the IC. Charging uses CC/CV algorithm and its fast charge current is programmable up to 400mA with an external resistor. Pre-charge and termination currents are determined relative to programmed fast charge current. The MAS6260 is available with three different floating voltage options; 4.2V, 4.35V and 4.4V.

The device has automatic power path control. When input supply voltage is available all power is taken from the input. That includes battery charging and loading from LDO and SYS pins. When valid input voltage is not available and the battery is not empty the device switches to battery power. MAS6260 includes battery overcharge, overdischarge and overtemperature protection. Additionally, there is overcurrent protection at the input (VIN) and at both outputs (SYS, LDO). There are four different faulty conditions at which the device gives distinctive fault condition signals. Charging and shutdown modes are controlled from the system. In shutdown mode the battery current consumption is minimized to maximize battery life.

Samples are available in a small DFN-12 3x3x0.75 mm package. Price for a DFN packaged device is USD 1.17 (1 000 pcs). For further information and samples, please contact Micro Analog Systems Oy at info-mas@mas-oy.com.



FEATURES

- Li-Ion and LiPo Battery charging with CC/CV Algorithm and Charge Termination
- Charge Current Programmable up to 400mA
- Three Floating Voltage Versions 4.2V, 4.35V and 4.4V with 1% Accuracy
- 150mA Low-Dropout (LDO) Regulator with 3.1V Output Voltage
- Automatic Power Path Management
- Battery Overcharge Protection
- Battery Over-Discharge Protection
- Current Limiting for Input, System and LDO Currents
- Charging Timeout
- Very Low Battery Leakage in Over-discharge/Shutdown Mode
- Low Quiescent Current
- Charge/Fault Status Output
- Charger Enable Input
- Low External Component Count

MAS6260 is available in a small DFN-12 3x3x0.75 mm package. For further information and samples please contact Micro Analog Systems Oy.

About Micro Analog Systems

Founded in 1984, Micro Analog Systems Oy is a privately owned fabless semiconductor house located in Helsinki, Finland. MAS supplies Application Specific Standard Parts and ASICs for worldwide customer base. MAS current product portfolio consists of time signal receiver ICs, crystal oscillator ICs and AD converters for sensor applications as well as of other high performance analog ICs.

For More Information

Company Contact:
Juha Majakulma
Director
+358 50 331 5638
juha.majakulma@mas-oy.com