

## Micro Analog Systems releases 18Vpp Piezo Driver IC for Self-Drive Type Piezoelectric Sounders

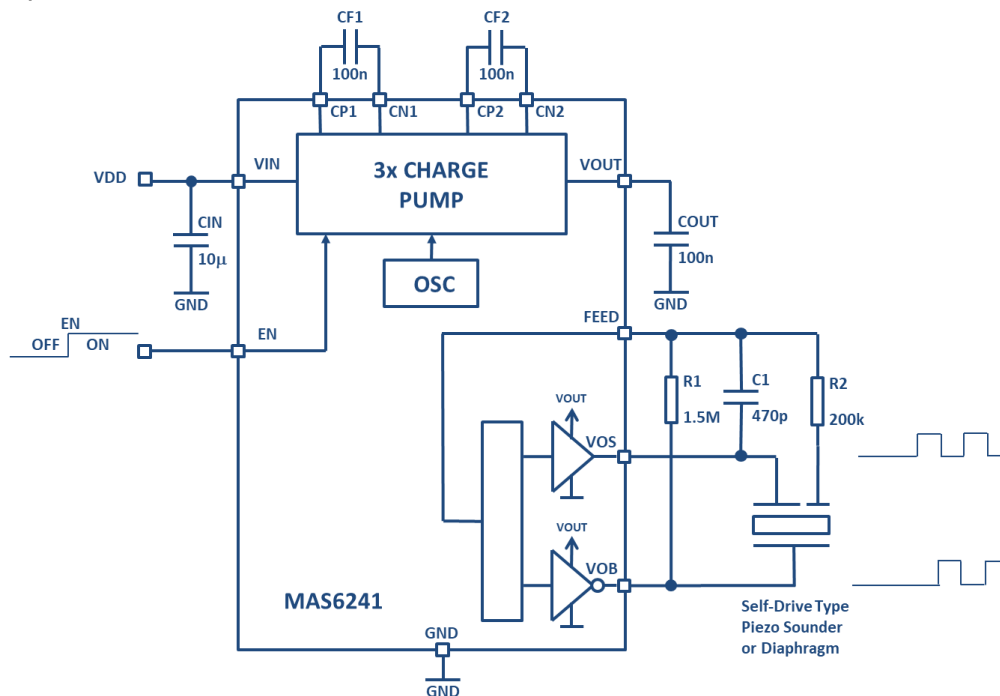
Offering high sound pressure level even at low supply voltage

**Helsinki, Finland – 21 February 2019** - Micro Analog Systems Oy today announced MAS6241, an 18Vpp Piezo Driver IC for Self-Drive Type Piezoelectric Sounders

Micro Analog Systems Oy introduces a high efficiency, easy to use and low cost solution for piezo sound applications requiring a high sound pressure level (SPL). Typical applications include piezo buzzers, alarm devices, white goods and handheld or portable devices with sound feature.

It is an inductor free low EMI and low profile solution for achieving a high sound pressure level. It includes a high efficiency 3x mode charge pump to boost input voltage to a high level. It can operate from a low supply voltage down to 2.2V and over a wide temperature range from -40°C to +125°C.

The MAS6241 is available in a small QFN-12 3x3x0.75 mm package. Samples are available. Price for a QFN packaged device is USD 0.67 (1 000 pcs). For further information and samples, please contact Micro Analog Systems Oy at [info-mas@mas-oy.com](mailto:info-mas@mas-oy.com).



## FEATURES

- For Self-Drive Type Piezoelectric Sounders
- Up to 18Vpp Piezo Drive from 3V Supply
- Low Voltage Operation, min 2.2V
- High Efficiency
- Low External Part Count
- Low Profile and Small Solution Size
- Thin 3x3x0.75 mm QFN-12 Package

## About Micro Analog Systems

Founded in 1984, Micro Analog Systems Oy is a privately owned fabless semiconductor house located in Helsinki, Finland. MAS supplies Application Specific Standard Parts and ASICs for worldwide customer base. MAS current product portfolio consists of time signal receiver ICs, crystal oscillator ICs and AD converters for sensor applications as well as of other high performance analog ICs.

## For More Information

Company Contact:  
Juha Majakulma  
Director  
+358 50 331 5638  
[juha.majakulma@mas-oy.com](mailto:juha.majakulma@mas-oy.com)