

## Micro Analog Systems releases Capacitance Change Detection and Piezo Alarm IC

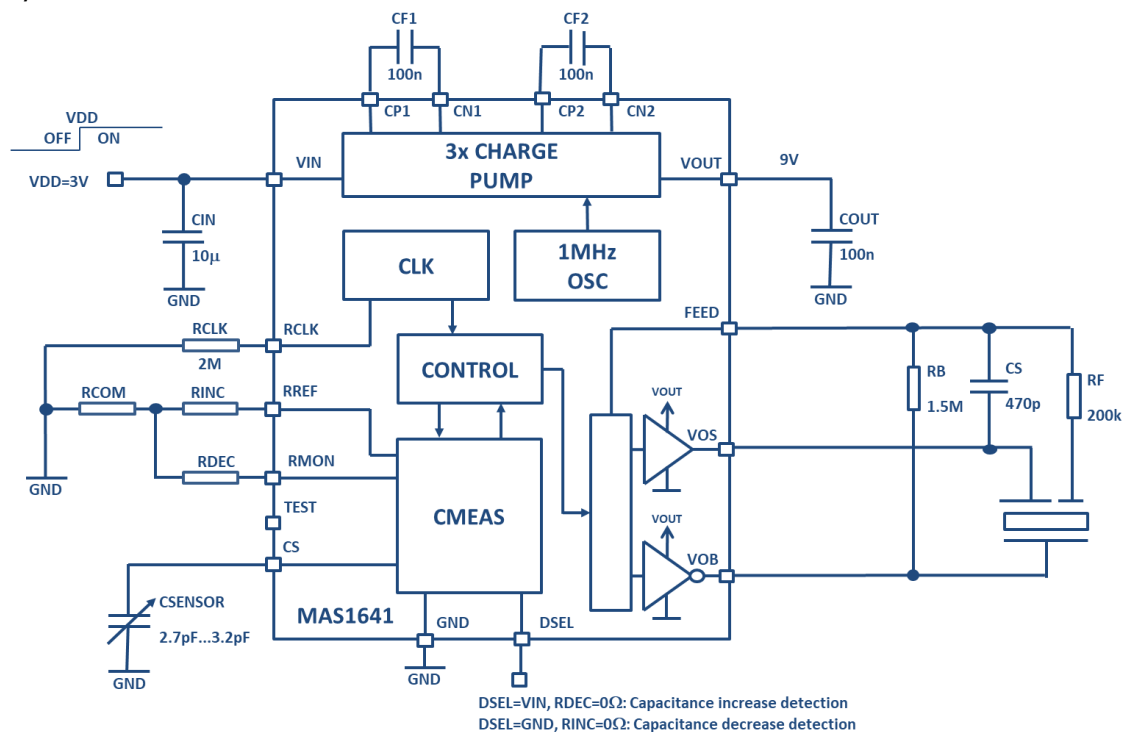
Offering single chip solution for capacitance change detection and piezo alarm function

**Helsinki, Finland – 21 February 2019** - Micro Analog Systems Oy today announced MAS1641, a Capacitance Change Detection and Piezo Alarm IC

Micro Analog Systems Oy introduces a very low power single chip solution for a capacitance change detection and a piezo alarm. Typical applications include battery powered alarm systems detecting infusion liquid level drop or water leakage.

The MAS1641 can be configured to detect either capacitance reduction or increase over a threshold which is adjustable by external resistors. A very high sound pressure level (SPL) alarm is achieved by voltage boosting solution which is based on an inductor free, low EMI and high efficiency 3x charge pump. The output driver stage can drive up to 18Vpp intermittent alarm signal to the piezo just from a low 3V supply. It can operate from a low supply voltage down to 2.25V and it draws only a very low 36uA current when monitoring capacitance change.

The MAS1641 is available in a small QFN-16 3x3x0.75 mm package. Samples are available. Price for a QFN packaged device is USD 0.70 (1 000 pcs). For further information and samples, please contact Micro Analog Systems Oy at [info-mas@mas-oy.com](mailto:info-mas@mas-oy.com).



Micro Analog Systems Oy  
Kutomotie 16  
FI-00380 Helsinki  
Finland

[info-mas@mas-oy.com](mailto:info-mas@mas-oy.com)  
[www.mas-oy.com](http://www.mas-oy.com)

## FEATURES

- For Self-Drive Type Piezoelectric Sounders
- Very Low Current Consumption, typ 36uA
- Up to 18Vpp Piezo Drive from 3V Supply
- Low Voltage Operation, min 2.25V
- High Efficiency
- Low External Part Count
- Low Profile and Small Size
- Thin 3x3x0.75 mm QFN-16 Package

## About Micro Analog Systems

Founded in 1984, Micro Analog Systems Oy is a privately owned fabless semiconductor house located in Helsinki, Finland. MAS supplies Application Specific Standard Parts and ASICs for worldwide customer base. MAS current product portfolio consists of time signal receiver ICs, crystal oscillator ICs and AD converters for sensor applications as well as of other high performance analog ICs.

## For More Information

Company Contact:  
Juha Majakulma  
Director  
+358 50 331 5638  
[juha.majakulma@mas-oy.com](mailto:juha.majakulma@mas-oy.com)