

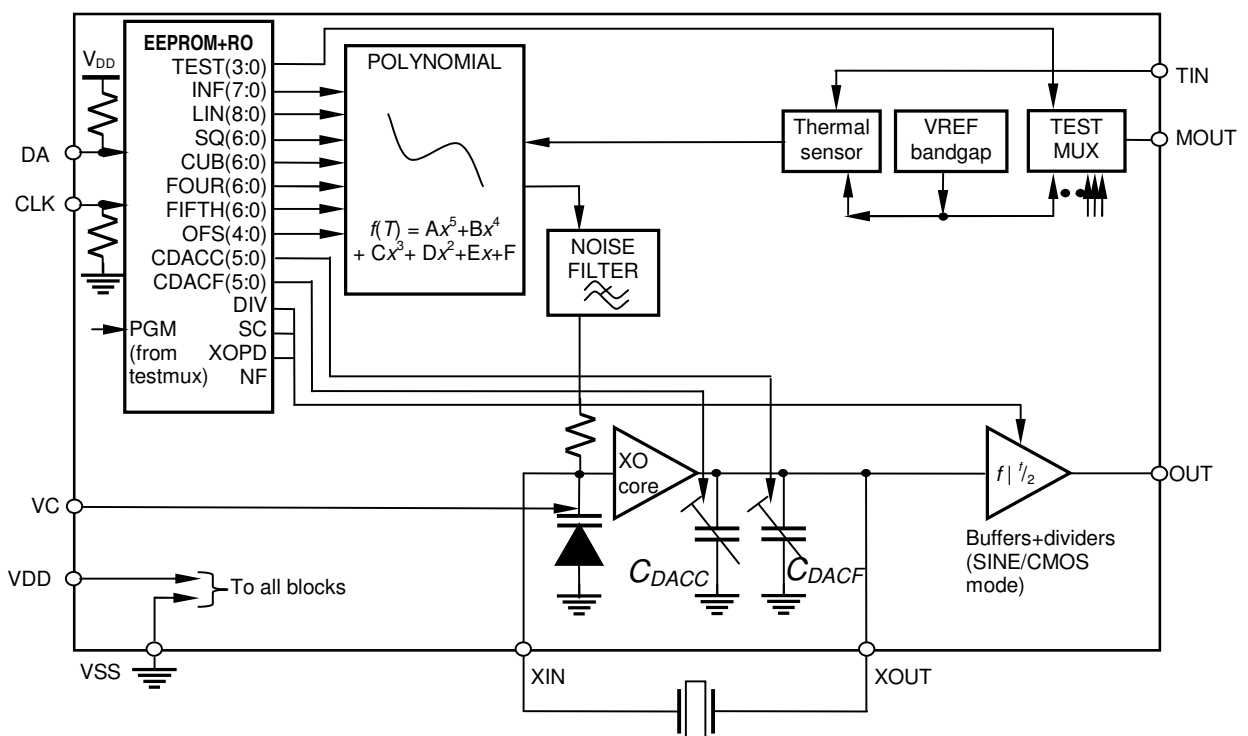
Micro Analog Systems releases new VCTCXO IC.

Targeted for ultra stable VCTCXO and TCXO modules.

Helsinki, Finland – 16 September 2013 - Micro Analog Systems Oy today announced [MAS6279](#), a miniature VCTCXO IC primarily intended for the most stable TCXO and VCTCXO modules.

The device uses fully analog compensation method making it possible to achieve +/- 0.14 ppm or better frequency stability. Because of its small size the reduction of module size is possible.

MAS6279 has typical power consumption only 1.3 mA. Low phase noise of -136 dBc/Hz at 1 kHz allows the use of the MAS6279 in demanding applications. The frequency stability against load or supply voltage changes is excellent. It has programmable divider function allowing the output frequency range of 5 MHz to 64 MHz. Output wave form can be selected from sine wave or CMOS. Output wave form can be selected from sine wave or CMOS.



FEATURES

- Very small size
- Minimal current consumption
- Wide operating temperature range
- Very low phase noise
- Minimum operating temperature $-40\text{ }^{\circ}\text{C}$
- Oscillator frequency output selectable by EEPROM direct or $f_0/2$.
- Output waveform selectable by EEPROM: clipped sine wave or CMOS.

MAS6279 is delivered as die or in small QFN-10 3 x 3 package. Volume production has already started and samples are available. Price for 1000 pcs is USD 2.73 each, Ex works Micro Analog Systems Oy, Finland.

About Micro Analog Systems

Founded in 1984, Micro Analog Systems Oy is a privately owned fabless semiconductor house located in Helsinki, Finland. MAS supplies Application Specific Standard Parts and ASICs for worldwide customer base. MAS current product portfolio consists of time signal receiver ICs, crystal oscillator ICs and AD converters for sensor applications as well as of other high performance analog ICs.

For More Information

Company Contact:
Juha Majakulma
Director
+358 50 331 5638
juha.majakulma@mas-oy.com