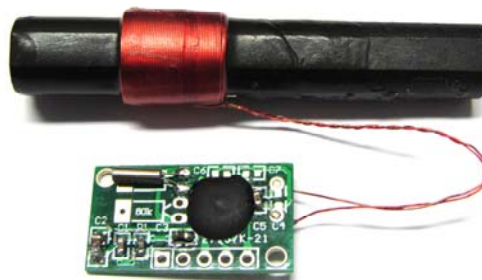


Time Signal Receiver Module

For receiving the German DCF77 or the US WWVB, British MSF and Japanese JJY60 time signal transmissions.

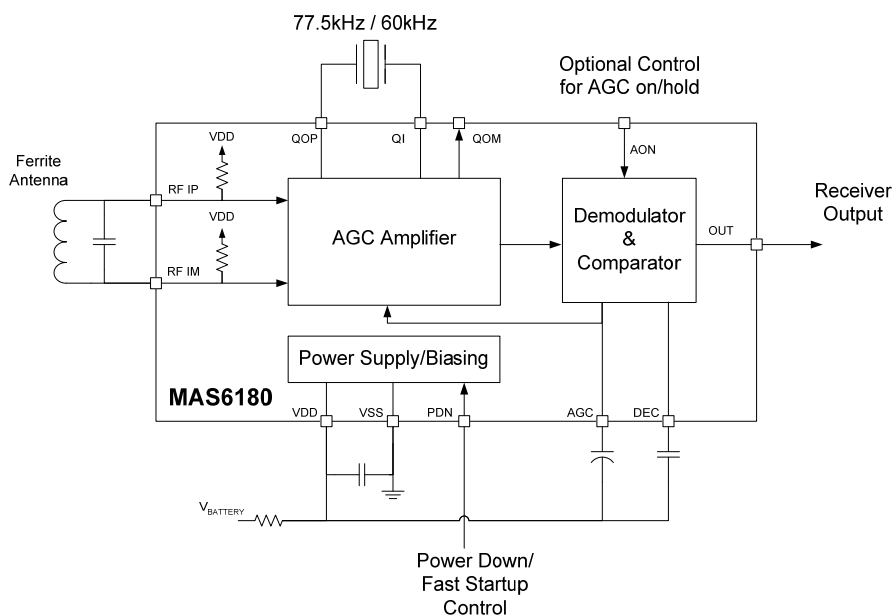
Helsinki, Finland – 13 January 2012 - Micro Analog Systems Oy today announced the availability of the EB6180B1COB module for Time Code Reception (RCC).

The new tiny time signal receiver module comprises of a ferrite antenna and a small PCB that includes a MAS6180B1 AM receiver IC accompanied with necessary filter crystal and capacitor components.



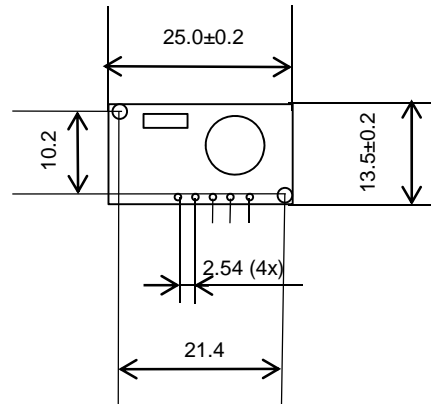
The MAS6180B1 AM receiver IC converts the time code signal into series of digital pulses which can be directly processed by an appropriate digital circuitry such as micro controller unit (MCU). From the signal both time, date and daylight saving information can be retrieved. The use of a ready made module gives our customers a cost effective solution with an optimized RF design. The included tuned ferrite antenna increases the value of this module even further.

Different versions are available for the 77.5 kHz German DCF77 time signal and the 60 kHz US WWVB, British MSF and Japanese JJY60.



FEATURES

- Small size, 21.4 x 25.0 mm
- 60x10 or 100x10 mm ferrite antenna
- Low operating voltage, 1.1V – 3.6V
- Low current consumption
 - Typ 42µA during reception
- High sensitivity
 - Typ 25 µV/m



The EB6180B1COB modules are available with an MOQ of 100 modules. Other antenna sizes can be arranged. For further information and samples please contact Micro Analog Systems Oy.

Pricing

EB6180B1COBxxKxxA1 is priced at \$3.05 or €2.37 @1K units. For others, please contact Micro Analog Systems or its distributors.

About Micro Analog Systems

Micro Analog Systems Oy (MAS), founded in 1980, is a privately owned fabless semiconductor company having its headquarter in Helsinki, Finland, and a worldwide network of sales offices and representatives. MAS design and markets low voltage, low power and low noise analog and mixed signal ICs. MAS standard products include Sensor Interface ICs, Time Code Receivers, Solar Cell Managers, Piezo Buzzer Drivers as well as Crystal Oscillators and high end Audio ICs.

For More Information

Jan Gripsborn
VP Sales & Marketing
+46 708 778 110
jan.gripsborn@mas-oy.com
www.mas-oy.com