

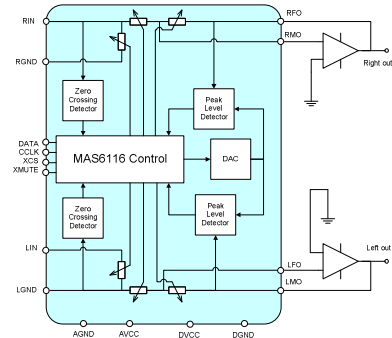
MAS6116 evaluation board

Demonstrating the MAS6116 Stereo Digital Volume Control IC

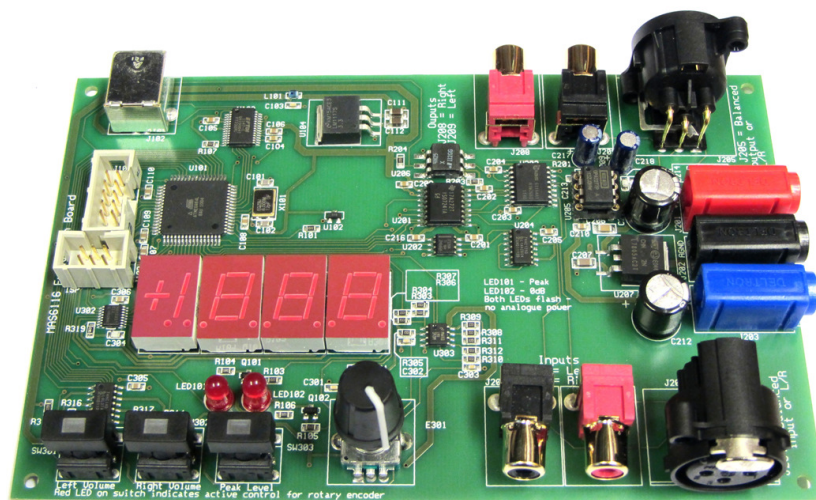
Helsinki, Finland – 02 April 2012 - Micro Analog Systems Oy today announced the new MAS6116 evaluation board, EB6116AA1.

[MAS6116](#) is a stereo volume control IC for high-end audio systems. The capability to work with signal levels up to $\pm 18V$ and the extremely low THD, 0.0002% in balanced configuration, makes it very useful in high performance audio systems where the volume is controlled in the analog domain for best performance.

In many audio preamplifiers it's an advantage to get a lot of voltage swing out from the unit, close to $\pm 15V$ signal levels. In most competing devices an op-amp is needed after the volume controller to get these levels since the IC can't work with those high input signal levels. For such a system not only the signal is amplified but the noise as well. With the MAS6116 high signal levels can be used everywhere inside the pre-amplifier and MAS6116 can then operate with input signals up to $\pm 18V$ and used as an attenuator. Very little noise usually comes out from the pre-amplifier and the beauty is that the noise depends on the volume level. When listening at a lower volume levels the noise is always inaudible. To improve the system performance even further the MAS6116 can be used in a balanced configuration with one MAS6116 per channel.



With the MAS6116 evaluation board it's possible to evaluate the MAS6116 digital potentiometer with either balanced mono or single ended stereo signals. It has the facilities to be controlled either via USB by a program under Linux, Windows or OS X, or via controls on the board itself.

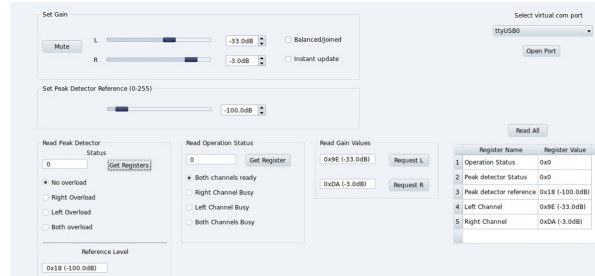


Micro Analog Systems Oy
Kutomotie 16
FI-00380 Helsinki
Finland

info@mas-oy.com
www.mas-oy.com

MAS6116 FEATURES

- Input Signal Voltage up to $\pm 18V$
- 0.0002% Typical THD Using Balanced Configuration
- Dynamic Range 121 dB
- Two Independent Channels
- Possible to Use in a Balanced Configuration for Extremely Low THD.
- Zero Cross Detection for Gain Changes
- Gain Range +15.5db...-111.5dB
- 0.5 dB Gain Step Size



Evaluation board User Interface

MAS6116 is available in a SO16 package. For further information and samples please contact Micro Analog Systems Oy.

About Micro Analog Systems

Micro Analog Systems Oy (MAS), founded in 1980, is a privately owned fabless semiconductor company having its headquarter in Helsinki, Finland, and a worldwide network of sales offices and representatives. MAS design and markets low voltage, low power and low noise analog and mixed signal ICs. MAS standard products include Sensor Interface ICs, Time Code Receivers, Solar Cell Managers, Piezo Buzzer Drivers as well as Crystal Oscillators and high end Audio ICs.

For More Information

Jan Gripsborn
VP Sales & Marketing
+46 708 778 110
jan.gripsborn@mas-oy.com
www.mas-oy.com